

## Lower handguard with integrated Picatinny rails

STANAG 4694

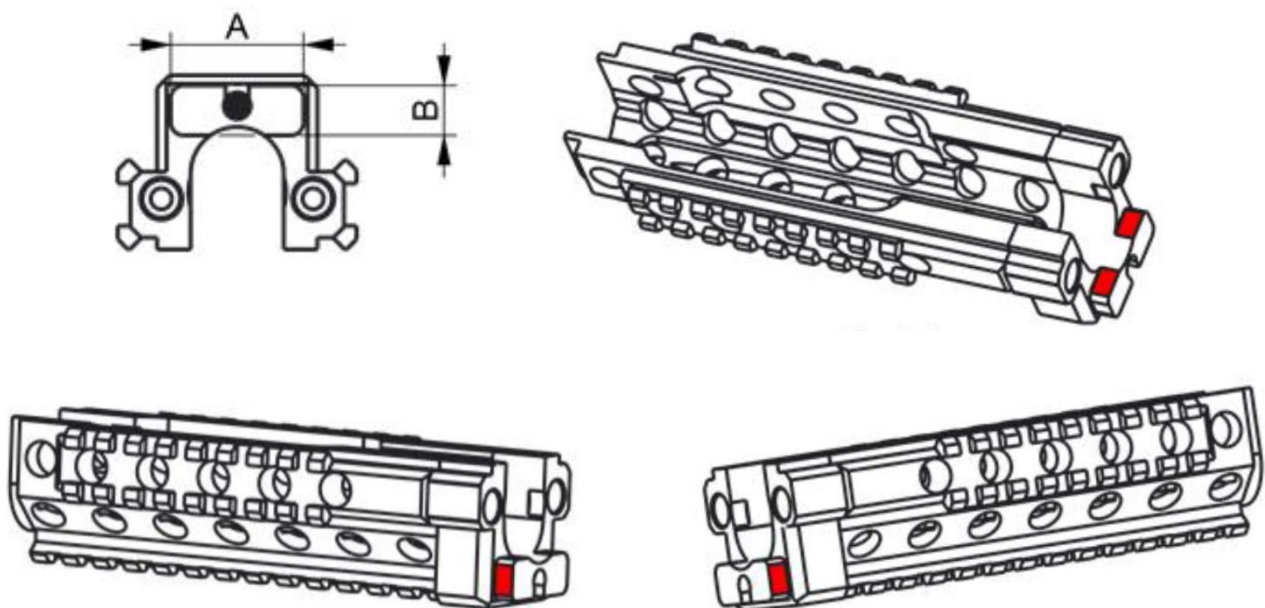
Material: aluminium

Weight: 273 grams

Works with all standard AKMs



In most cases, the lower handguard should fit all WBP manufactured rifles right out of the box but due to differences in assembly and part tolerances between manufacturers it often requires minor fitting.



### Instruction:

Place the rear side of the handguard in the area of the receiver under the trunnion. If it does not fit out of the box, then areas where paint got scraped off will require filing. Use a file to take off excess material from surfaces in red to ensure proper fitment. Be very careful in order not to file down too much material, that will result in the part getting loose. If you do not feel comfortable installing this part on your own, please contact a professional gunsmith.

A video instruction is available on YouTube at the "WBP Rogów" channel.